

dormakaba registration unit 90 00

Freedom of design

The dormakaba registration unit 90 00 provides freedom of design: it can be built into customised or standard housings. The component fits into various European standard covers.

Functionality

In combination with the dormakaba control units, this registration unit forms a secure solution for access control and, at the same time, provides convenient user identification. The dormakaba registration unit informs the user acoustically and visually on the access decision.

Tampering security

The registration unit is installed at remote locations away from the reader electronics. The associated control unit can be installed in a tamper-proof room irrespective of the installation site. Communication between this registration unit and the associated control unit is encrypted and therefore offers maximum security.

Application field

The registration unit is suitable for both indoor and outdoor applications (depending on installation type).

Your benefits at a glance

Freedom of choice

Visual appearance (design housing or housing provided by customer) and reading/writing properties

High security

High security through encrypted communication to the associated control device indoors

Flexible use

Installation, both indoors and outside area

Features

Gira S 55 covers



Covers/switch programs:

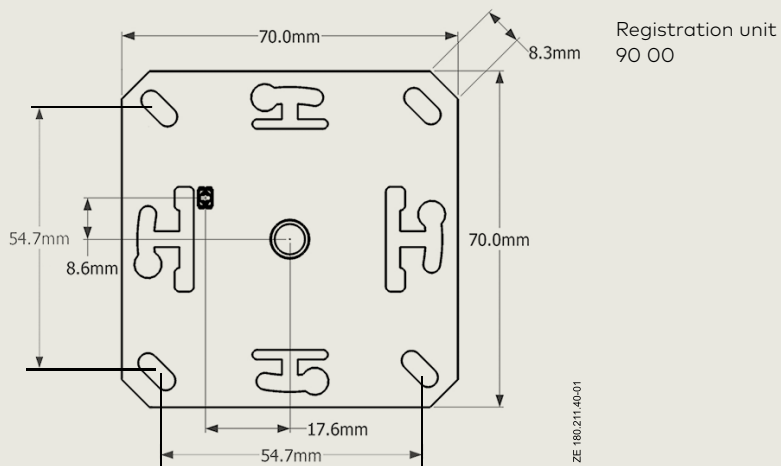
Accessories for the dormakaba registration unit 90 00 include covers for flush-mounted standard systems S 55 (System 55), e.g. Feller, Jung, Merten and Gira, as well as for Gira TX 44. They have a light guide for visual signalling and are available in three colours: white, silver and anthracite.

Accessories:

For the following switch programs, the product range includes correspondingly modified covers:

- Front Set FE – white – IP40
- Front Set FE – white – IP55

Note: The scope of the product functions actually available depends on the context in which the system is used.



Technical data

Interface

- Communication via 50 Ω coaxial cable (RG 174/U recommended)

Environmental conditions

- Operating temperature: -25 °C to +70 °C
- Humidity 0% to 95%, non-condensing

Dimensions (L x W x H)

- Registration unit 90 00: 70 x 70 x ~13 mm
- Cover frame S 55: 55 x 55 x 16.5 mm
- Cover frame TX 44: 70 x 70 x 13.5 mm

Installation:

The registration unit 90 00 is ideal for flush-mounting sockets

Connection type:

- Screw terminals
- Threaded insert with M3 thread

Compatibility:

The registration unit 90 00 can be used with various control devices from dormakaba:

- Access manager 92 00
- Access manager 92 3X
- Remote reader 91 15
- Remote reader 91 25

Standards and guidelines

- EN 301 489-1, EN 301 489-3
- EN 300 330-1, EN 300 330-2
- RED 2014/53/EU

You will find further details and order information in the relevant dormakaba catalogues or system descriptions.

Subject to change without notice.
©2021 dormakaba. Version 03/2021

Any questions? We would be happy to answer any questions you may have.